

PA762



Display size
39"-90"



Max load
150lb (68kg)

PARAMOUNT™

Articulating Wall Mount

FOR 39" TO 90" DISPLAYS

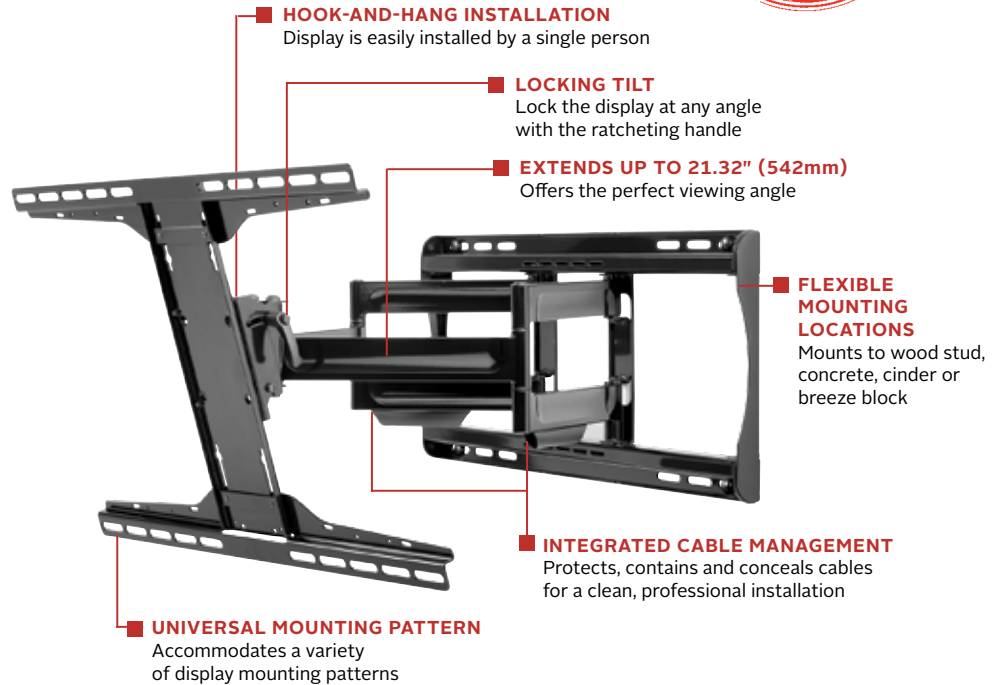
The Paramount™ series wall mounts provide versatile and multi-functional features. With PA762, extend the display up to 21.32" (542mm) or fully-retract it to just 3.00" (76mm) from the wall for the perfect viewing angle. The Hook-and-Hang™ system offers easy, one-person installation of the display. A ratcheting handle provides locking tilt capability for quick adjustments to the amount of tilt, reducing glare and optimizing the viewing angle. Integrated cable management protects, contains and conceals cables for a clean installation.

Full-motion capabilities allow you to swivel, tilt, extend or retract your display for the perfect viewing angle.

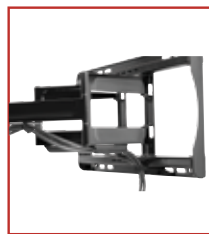


Additional Features

- ✓ Extends 21.32" (542mm) from the wall
- ✓ Retracts to 3.00" (76mm) to save space
- ✓ +15/-5° of tilt for optimal viewing angles
- ✓ Up to ±90° of pivot allows for perfect display positioning
- ✓ ±5° of roll for post installation display leveling
- ✓ Universal mount fits displays with mounting patterns 200 x 100 to 600 x 400mm
- ✓ The I-Shaped Adaptor plate's innovative design helps avoid blocking connections on back of display
- ✓ Includes all necessary wall and display attachment hardware
- ✓ Design is UL listed and tested to four times stated load capacity



Swivel, tilt, extend or retract the display for the perfect viewing angle



Integrated cable management keeps cords and cables out of the way



Please visit peerless-av.com/en-us/patents for patent information.

info@peerless-av.com
peerless-av.com

peerless-AV®

PA762	Paramount™ Articulating Wall Mount for 39" to 90" Displays
--------------	--

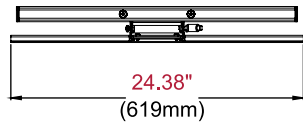
Product Specifications

	DIMENSIONS (W x H x D)	PRODUCT WEIGHT	LOAD CAPACITY	FINISH	AVAILABLE COLORS
PA762	24.38" x 16.75" x 3.00"-21.32" (619 x 425 x 76-542mm)	21.08lb (9.56kg)	150lb (68kg)	Scratch resistant fused epoxy	Gloss black

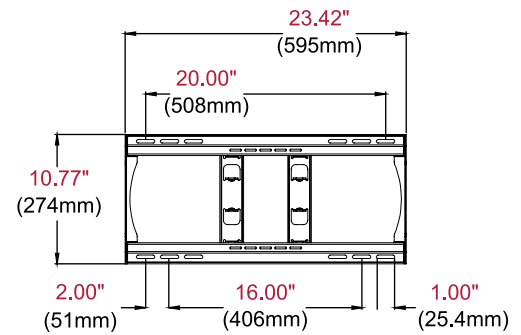
Package Specifications

	PACKAGE SIZE (W x H x D)	PACKAGE SHIP WEIGHT	PACKAGE UPC CODE	PACKAGE CONTENTS	UNITS IN PACKAGE
PA762	27.31" x 3.50" x 16.50" (694 x 89 x 419mm)	24.40lb (11.07kg)	735029304890	Wall mount, wall and display installation hardware, installation instructions	1

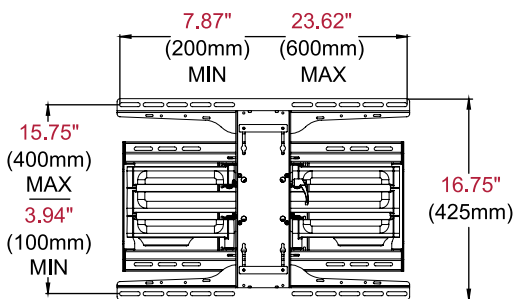
All dimensions = inch (mm)



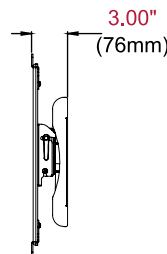
TOP VIEW



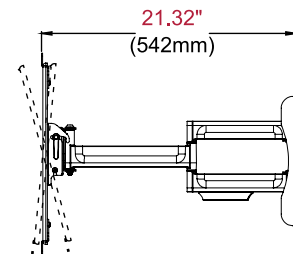
WALL PLATE DETAIL



FRONT VIEW



SIDE VIEW COLLAPSED



SIDE VIEW EXTENDED +15°/-5 TILT

Architect Specifications

The Paramount™ Articulating Wall Mount shall be a Peerless-AV model PA762 and shall be located where indicated on the plans. Assembly and installation shall be done according to instructions provided by the manufacturer.

Visit peerless-av.com to see the complete line of AV solutions from Peerless-AV, including outdoor displays, wireless, kiosks, digital audio, display mounts, projector mounts, carts/stands, and a full assortment of accessories.

Peerless-AV
2300 White Oak Circle
Aurora, IL 60502 USA
(800) 865-2112
(630) 375-5100
Fax: (800) 359-6500

Peerless-AV Europe
Unit 3 Watford Interchange
Colonial Way, Watford
Herts, WD24 4WP
United Kingdom
+44 (0) 1923 200100
Fax: +44 (0) 1923 200101

Peerless-AV de México
Ave de las Industrias 413
Parque Industrial Escobedo
Escobedo, N.L.,
Mexico 66050
+52 (81) 8384-8300
Fax: +52 (81) 8384-8360

