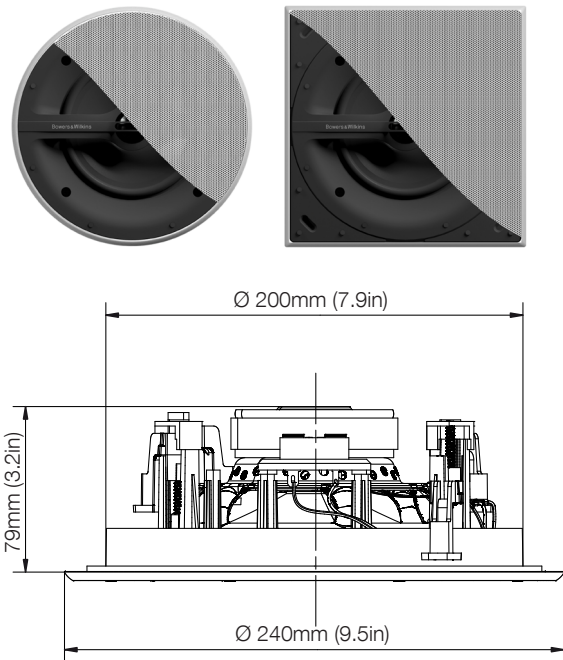


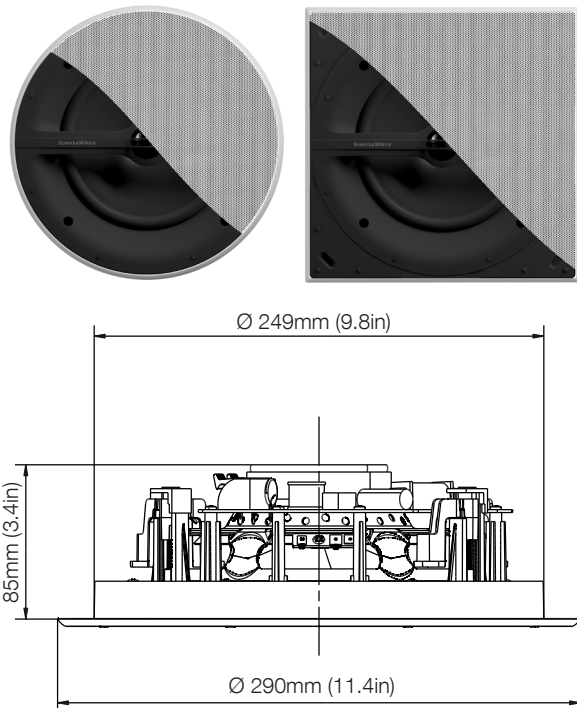
CCM362 and CCM382

The coaxial CCM362 and CCM382 offer a choice of size dependent on the output level required. Both are balanced for wide-angle listening, commensurate with their in-ceiling placement, and both offer a choice of round or square aspect.



CCM362 Technical Specifications

Description	2-way in-ceiling system
Drive Units	1x 160mm (6in) Polypropylene cone bass/midrange 1x 25mm (1in) soft dome tweeter
Frequency Range (-6dB)	50Hz - 30kHz
Sensitivity SPL (2.83V, 1m)	89dB
Impedance Nominal (min)	8Ω (5.0Ω)
Power Handling	80W
Pre-mount Kit	PMK C6
Back Box	BB 6C



CCM382 Technical Specifications

Description	2-way in-ceiling system
Drive Units	1x 200mm (8in) Polypropylene cone bass/midrange 1x 25mm (1in) soft dome tweeter
Frequency Range (-6dB)	45Hz - 30kHz
Sensitivity SPL (2.83V, 1m)	90dB
Impedance Nominal (min)	8Ω (5.0Ω)
Power Handling	80W
Pre-mount Kit	PMK C8
Back Box	BB 6C

Bowers & Wilkins

www.bowers-wilkins.com

Copyright © B&W Group Ltd. E&OE

