



## APPLICATIONS

- Convention centers, exhibit halls
- Corporate training rooms, ballrooms
- Athletic venues, sports facilities, health clubs
- Houses of worship
- Malls, airports

## FEATURES

- High intelligibility with exceptional uniform coverage
- Consistent, wide dispersion up to 16 kHz
- True coaxial loudspeakers with HF compression drivers
- Tru-Phase™ high-frequency waveguide
- Patented Carbon Ring Cone Technology™
- Spring loaded Drop-Stop™ installation assistant tabs support the back can on the included rails and C-ring to simplify installation
- Uniquely designed tile bridge support rails and snap-on C-ring support plates prevent sag
- Twist-Assist™ loudspeaker face retainer tabs for fast and easy installation
- ¾-inch and 1-inch knock-outs on the sides of the back can
- External loop-through Euroblock connectors
- Rear cover with integrated cable clamp (strain relief) and optional conduit knockout
- Selectable 8 ohm or 70V/100V operation
- Back can and face-only packages available
- Five year warranty

The **D4LP** is a specialty loudspeaker built shallower than competing products, thus enabling its use in confined spaces, while still providing the full range of features common to all members of the D SERIES. Only 3.4 inches in depth, the D4LP solves space problems that competing products cannot. Suitable for paging, background music, and to augment larger models, the D4LP is a solid performer. Characteristics are similar to the D4 with only a minor amount of bass reduction. It installs quickly and provides exceptionally uniform coverage with excellent sonic properties. Uniform voicing among the Distributed Design product family makes it easy to match the D4LP to larger models in the series. Featuring genuine coaxial design with separate magnets for the LF and HF drivers, the D4LP exhibits reduced distortion and industry-leading sensitivity permitting 3 dB to 6 dB greater output level, while requiring half the amplification power of competing products.

The proprietary **Tru-Phase™** waveguide and perfectly centered driver produce a consistently wide conical polar response up to 16 kHz. Community's patented **Carbon Ring Cone Technology™** increases the effective cone area to further reduce distortion while reinforcing the cone for improved durability.



# D SERIES

# D4LP

TWO-WAY 4.5-INCH LOW PROFILE  
CEILING MOUNT LOUDSPEAKER

## Distributed Design



## SPECIFICATIONS

<b>Loudspeaker Type:</b>	Two-way, full-range, coaxial ceiling loudspeaker, 8 ohm or 70V/100V operation	
<b>Operating Range:</b>	90 Hz - 18.5 kHz	
<b>Frequency Response:</b>	120 Hz - 16 kHz ( $\pm 5$ dB)	
<b>Max Input Ratings (8 ohm):</b>	60W continuous, 150W program 22 volts RMS, 49 volts momentary peak	
<b>Transformer Taps—70V:</b>	30W, 15W, 7.5W, 3.75W and low impedance	
<b>100V:</b>	30W, 15W, 7.5W	
<b>Distortion—10% Full Power:</b>	2nd Harmonic	3rd Harmonic
500 Hz	0.18%	0.80%
2 kHz	1.21%	0.39%
8 kHz	0.38%	0.13%
<b>1% Full Power:</b>	2nd Harmonic	3rd Harmonic
500 Hz	0.16%	0.27%
2 kHz	0.38%	0.28%
8 kHz	0.22%	0.16%
<b>Sensitivity (1W/1m):</b>	92 dB SPL (160 Hz to 12.5 kHz 1/3 octave bands) 93 dB SPL (250 Hz to 4 kHz speech range)	
<b>Maximum Output:</b>	110 dB SPL / 116 dB SPL (peak 8 ohm)	
<b>Nominal Impedance:</b>	8 ohms	
<b>Minimum Impedance:</b>	7.6 ohms @ 330 Hz	
<b>Nominal Coverage:</b>	130° conical (1 kHz to 6 kHz) 140° conical (500 Hz to 6 kHz)	
<b>Axial Q / DI:</b>	4 / 6, 500 Hz to 6 kHz	
<b>Crossover Frequency:</b>	2 kHz	
<b>Recommended Signal Processing:</b>	90 Hz high pass filter	
<b>Drivers:</b>	LF 1 x 4.5-inch HF 1 x ¾-inch exit compression driver	
<b>Driver Protection:</b>	Self-resetting solid state circuit breaker	
<b>Input Connection:</b>	4-position Euroblock connector	
<b>Controls:</b>	Front-face wattage / low impedance selector switch	
<b>Enclosure:</b>	Corrosion-resistant zinc plated steel	
<b>Mounting/Rigging Provisions:</b>	3 steel mounting clamps with 2-inch grip range	
<b>Grille:</b>	Powder coated steel with safety line, white finish, paintable	
<b>Baffle:</b>	Reflex loaded UL 94V-0 rated ABS	
<b>Safety Features:</b>	3 x safety hang points	
<b>Safety Agency Ratings:</b>	ETL listed to comply with UL1480, UL2043 and CSA60065. Suitable for use in air handling spaces per NFPA 70 and NFPA 90.	
<b>Face-Only / Back Can Options:</b>	<b>D4-FO</b> Face-Only Assembly <b>D4LP-BC</b> Back Can	
<b>Required Accessories:</b>	Electronic high pass filter	
<b>Supplied Accessories:</b>	C-Ring supporting plate, tile support bridge rails, grille, paint mask, cut-out template, flat screwdriver	
<b>Optional Accessories:</b>	<b>D45-FAR</b> Face Adapter Ring <b>D45-CATR</b> Can Adapter Ring / Trim Ring <b>D45-NCB</b> New Construction Bracket	
<b>Dimensions—Width:</b>	9.768 inches (248.1 mm) bezel diameter	
<b>Depth:</b>	3.599 inches (91.4 mm) can depth	
<b>Cutout Diameter:</b>	8.75 inches (222 mm)	
<b>Weight:</b>	6.6 lbs (3 kg)	

### NOTES:

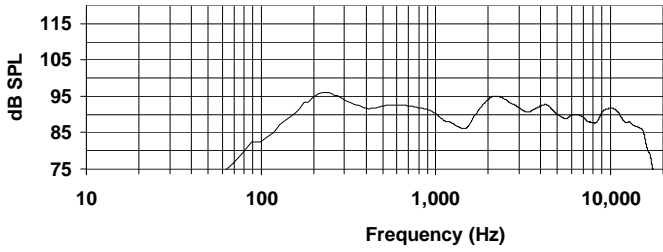
1. Sensitivity: Half space pink noise measurement at 6 ft (1.8 m) at 20% power; extrapolated to 1 meter and an input of 2.83 volts RMS.
2. Watts: All wattage figures are calculated using the rated nominal impedance.
3. Frequency response and sensitivity are half-space measurements.

# D SERIES

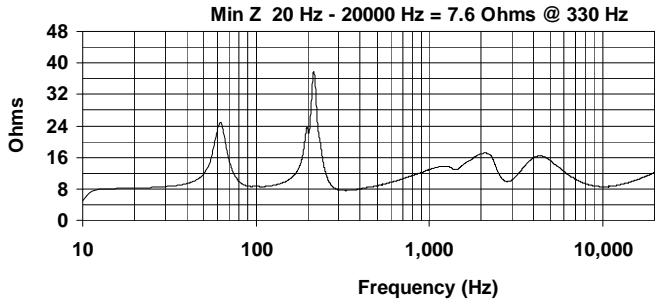
# D4LP

TWO-WAY 4.5-INCH LOW PROFILE  
CEILING MOUNT LOUDSPEAKER

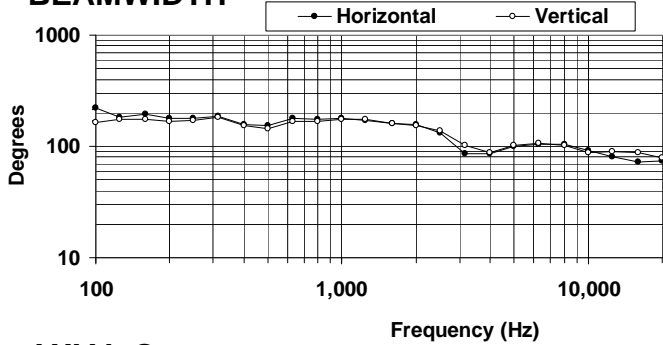
## FREQUENCY RESPONSE



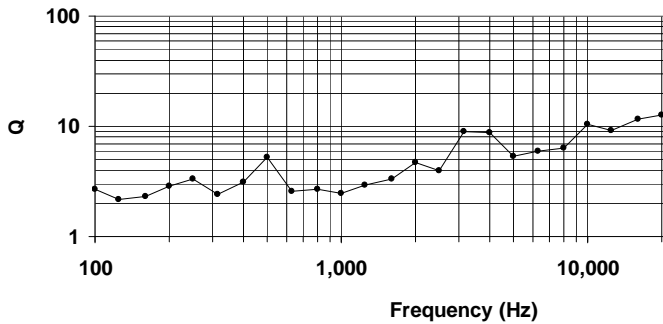
## IMPEDANCE



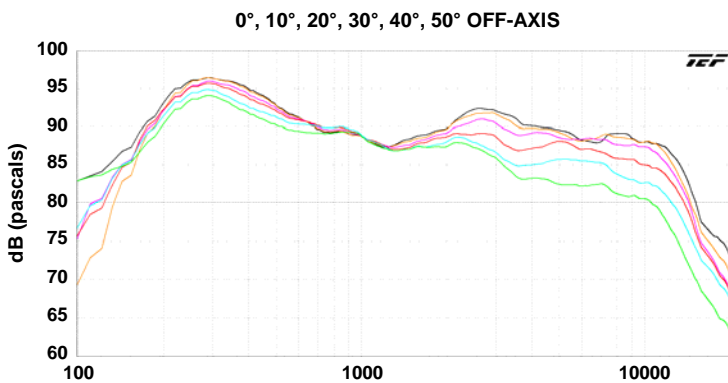
## BEAMWIDTH



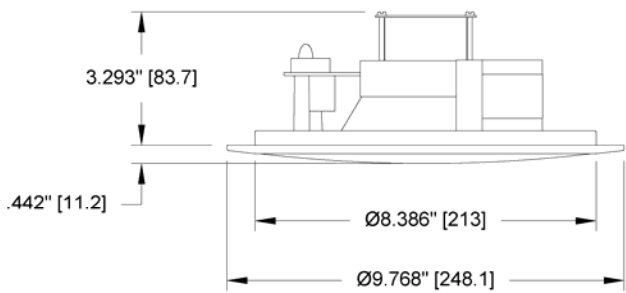
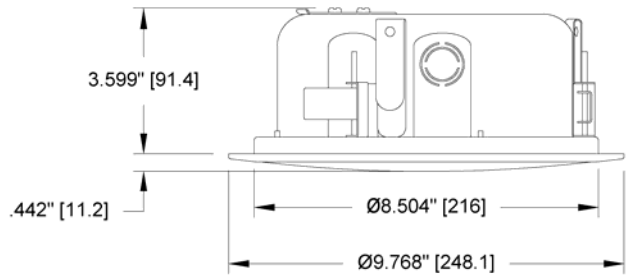
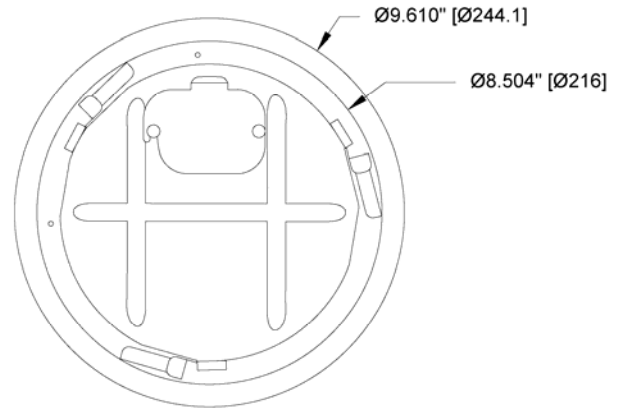
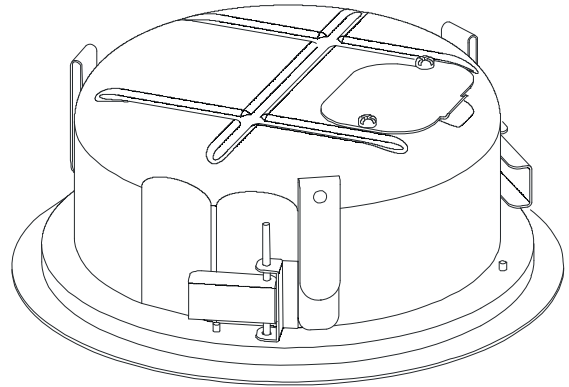
## AXIAL Q



## DISPERSION DEVIATION



## DIMENSIONAL DRAWINGS

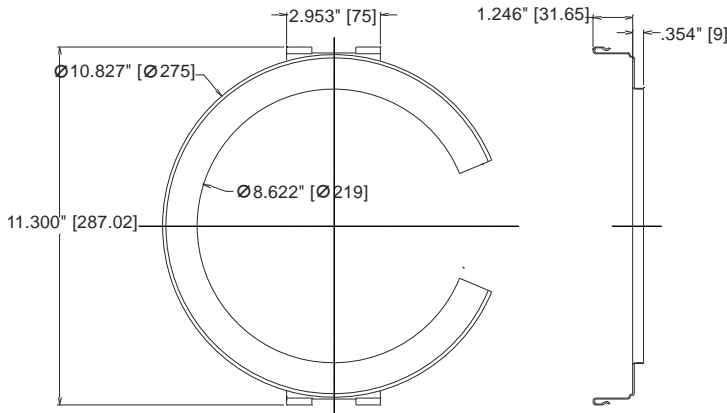


D4-FO Face-Only Assembly

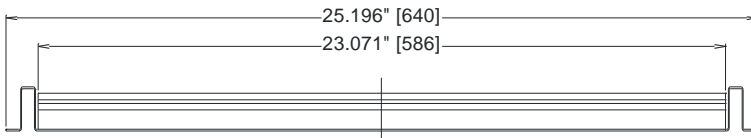
# D SERIES

# D4LP TWO-WAY 4.5-INCH LOW PROFILE CEILING MOUNT LOUDSPEAKER

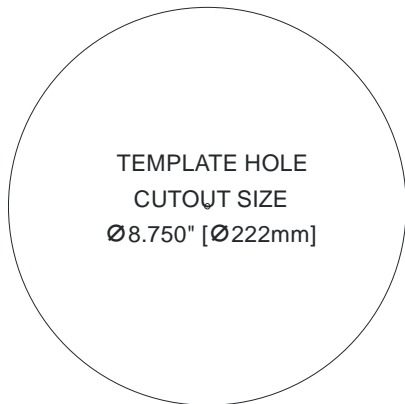
## INCLUDED ACCESSORIES



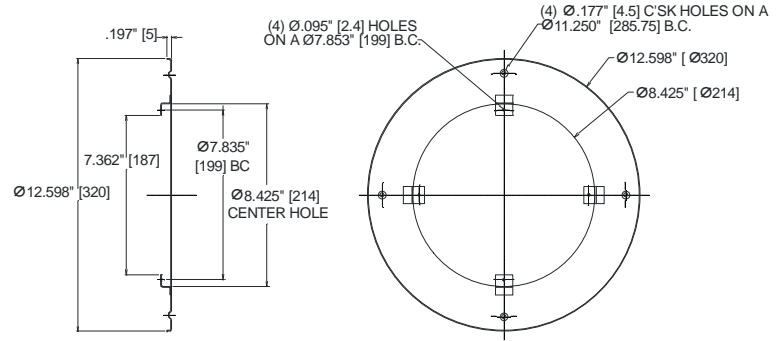
**C-RING**



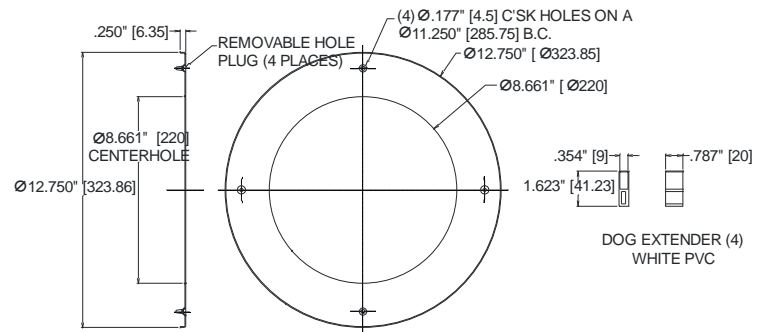
**TILE BRIDGE RAILS**



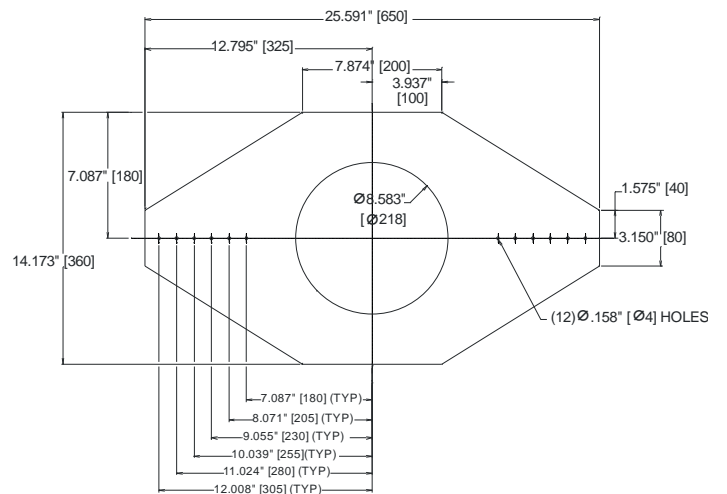
## OPTIONAL ACCESSORIES



**FACE ADAPTER RING**



**CAN ADAPTER / TRIM RING**



**NEW CONSTRUCTION BRACKET**

## ARCHITECTURAL SPECIFICATIONS

The loudspeaker system shall be a two-way, full-range ceiling mount system with a 4.5-inch low frequency transducer with patented Carbon Ring Cone Technology™ and a coaxially mounted ¾-inch exit high frequency compression driver. The drivers shall be connected to an integral crossover with a crossover frequency of 2 kHz, with a self-resetting solid state circuit breaker for driver protection.

The loudspeaker baffle assembly (part no. D4-FO), or face-only, of the loudspeaker system shall be available without the back can for installations where the back cans are pre-installed and the loudspeaker baffle is inserted at a later date. The paintable loudspeaker baffle shall be constructed of UL 94V-0 rated ABS material and include Twist-Assist™ face retainer tabs for easy insertion into the back cans. A paintable steel grille with a durable white powder coat finish shall be included.

The back can provided with the ceiling loudspeaker system, or sold separately as part no. D4LP-BC, shall be constructed of corrosion-resistant zinc plated steel featuring spring loaded Drop-Stop™ installation assistant tabs. The back can shall include a recessed termination box with a removable locking connector with screw terminals for secure wire termination with "loop through" ability. Strain relief will be provided by a clamping mechanism for use with plenum rated cable or conduit.

The system shall have an amplitude response of 120 Hz to 16 kHz (+/- 5dB) and a low impedance (8 ohm) input capability of 22V RMS. The sensitivity at 1W/1m shall be 92 dB (160 Hz to 12.5 kHz, 1/3 octave bands). The loudspeaker system shall have a conical coverage pattern of 140 degrees from 500 Hz to 6 kHz. The nominal system impedance shall be 8 ohms (in low impedance setting).

The system shall be equipped with a 30W high performance autoformer for use in 70.7V or 100V distributed audio systems, with 30W, 15W, 7.5W and 3.75W taps available in 70.7V distributed systems (30W, 15W and 7.5W taps available in 100V distributed systems). An easily accessible front-face tap selector switch located on the front baffle, which is concealed by the supplied removable grille, shall be available for selecting autoformer and low impedance settings.

A snap-on C-Ring supporting plate and two tile support bridge rails shall be included. The loudspeaker system shall have a bezel diameter of 9.768 inches (248.1 mm), a can depth of 3.599 inches (91.4 mm) and weigh 6.6 lbs (3 kg). There shall be available an optional Can Adapter/Trim Ring for retrofit installations of the loudspeaker system into an existing larger industry back can or into an existing but oversized ceiling hole up to 11 inches (279 mm) in diameter, and an optional New Construction Bracket for installing the loudspeaker system in new construction before drywall or plaster is put into place. An optional Face Adapter Ring to mount the D4-FO loudspeaker baffle into an existing back can for retrofit installations shall also be available.

The system shall be ETL listed to comply with UL1480, UL2043 and CSA60065 and suitable for use in air handling spaces per NFPA70 and NFPA90.