

ControlSpace® EX-4ML mic/GPIO Dante™ endpoint

Product Description

Optimized for use with the EX-1280C, the EX-4ML Dante™ endpoint, is a convenient, cost effective solution for connecting up to 4 conferencing microphones over a single cat-5/6 cable. Whether used under a conference table, daisy-chained with other EX or endpoints, or standalone in a rack, the EX-4ML adds 4 high-quality microphone/line inputs, 4 GPI, and 8 GPO to your networked audio system. Autodiscovery, drag and drop programming, auto-routing, and simplified logic control in ControlSpace® Designer™ make configuring the EX-4ML easy. Tasks such as configuring microphone LED status and microphone mute actions are greatly simplified within ControlSpace Designer without requiring external control system programming.



Key Features

- **One-cable-from-the table connectivity** supports PoE+, Dante™ audio networking, logic I/O and LED power to maximize ease of integration
- **Broad conference microphone compatibility** with 4 high-quality mic/line input channels, each featuring 48V phantom power, 12V LED power, 1 logic input and 2 logic outputs for interfacing with microphone pushbuttons and indicators
- **Dante™ audio networking** for connection to other Dante-enabled products over Ethernet-based networks
- **Dual network and power connectors** allow daisy-chaining of multiple EX endpoints
- **Rotatable mounting tabs** allow for multiple mounting options
- **Low-profile aluminum enclosure** with integrated LED indicators for unobtrusive under-table mounting
- **Simplified software configuration** via ControlSpace Designer software. Supports autodiscovery, auto-routing, and logic presets for microphone LEDs and pushbuttons
- **Optional installation accessories** include a magnetic mounting plate for single-handed under-table mounting, a microphone extension cable, and a 60 W power supply
- **Power and signal indicators**

Applications

Designed for a wide range of applications, including:

- Boardrooms
- Medium/large conference rooms
- Courtrooms
- Distance learning
- Auditoriums
- Multi-purpose spaces

ControlSpace® EX-4ML mic/GPIO Dante™ endpoint



Technical Specifications

AUDIO INPUTS	
Input Channels	Four (4) analog, balanced microphone/line level
Connectors	Four (4) 3.81 mm detachable Euroblock connectors, 7-pin
Phantom Power	+48VDC, software selectable per input
Control GPIO	2 logic outputs (100mA low, 8V open, 10mA @ 2.5V high), 1 logic input (0 to 5V, threshold = 1.6V, 2K pull-up to 5V)
Gain Settings	0 / +15 / +30 / +45 dB, software selectable
Input Impedance	> 1.8 kΩ at any gain setting
Equivalent Input Noise	-115 dBu (+45 dB gain)
Maximum Input Level	+20 dBu (using -12 dB gain setting)
System THD	< 0.01 % at any gain setting, input signal 3 dB below maximum
Frequency Response	20 Hz – 20 kHz, ± 1 dB

NETWORK	
Connectors	Two (2) RJ-45, one front (supports PoE+), one rear
Audio Over IP	Dante™ Ultimo X4

POWER	
Microphone LED power	12 VDC, 200 mA
PoE Class	Class 0 802.3at PoE+ PD compliant
Connectors	(2) 3.81 mm Euroblock connector, 2-pin
External Power Supply	12 VDC, daisy-chainable
Power Consumption	4.3 watts plus 1 watt for Phantom Power if used

SOFTWARE APPLICATION	
ControlSpace Designer software version 5.0 or later	

GENERAL	
LED Status Indicators	Power LED, four (4) tri-color signal status for input channels
Digital Conversion	24 kHz / 24-bit
Certifications	FCC Part 15 Class A; UL 60950-1, 2nd edition, 2014-10-14, CAN/CSA C22.2 No. 60950-1-07, 2nd edition, 2014-10, IEC 60950-1:2005 (2nd edition)
Operating Temperature	0 °C - 40 °C (32 °F - 104 °F)
Product Code	771783-0110

Front Panel



- ① **Rotatable Mounting Tabs** - Multiple mounting options
- ② **+12 VDC Connector** - External DC power supply
- ③ **Gigabit Network Port** - Supports PoE+, Dante and ControlSpace control
- ④ **Microphone Analog Inputs (4)** - Provides connection to conference mic: +48V phantom, 2 GPO, 1 GPI +12V per channel

ControlSpace® EX-4ML mic/GPIO Dante™ endpoint

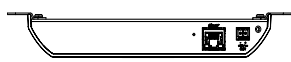


Rear Panel

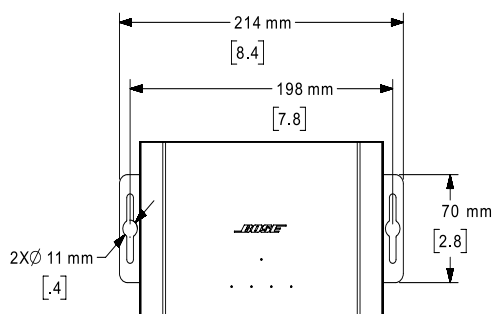
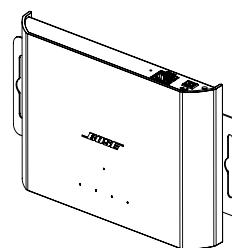


- ❶ **Rugged Metal Enclosure** - Sleek and unobtrusive for under-table use
- ❷ **Dante/Network Connector** - Daisy-chainable Dante or service port
- ❸ **Daisy-Chainable Power Output** - Allows multiple units be to powered via external power supply

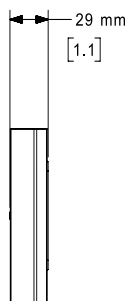
Mechanical Diagrams



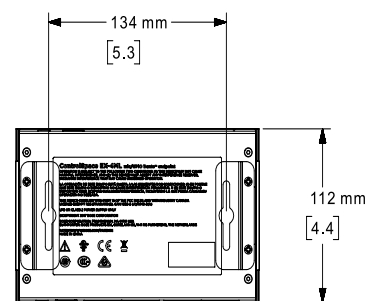
Top View



Front View



Right View



Rear View

DIMENSIONS APPLY TO BOTH SIDES

All information subject to change without notice.
 © 2018 Bose Corporation
 All trademarks are those of their respective owners.