

MX73I Digital Projector

MX73I Features

- Feature High Light
- 4000 ANSI Lumen High Brightness
- 20000:1 High Contrast Ratio
- Up to 15000 hrs long lamp life
- USB Reader Compatible
- Networking Connectively

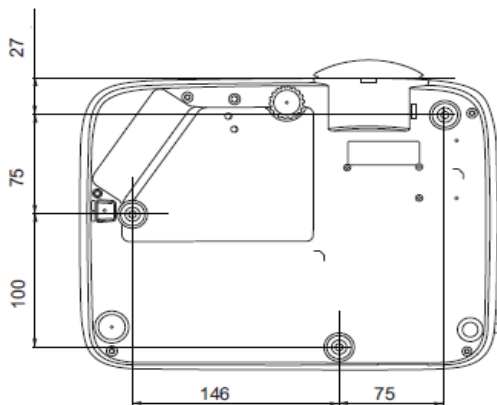


Features

1. HDMI-I
2. HDMI-2/MHL
3. PC (D-sub 15pin)
4. Monitor out (D-sub 15pin, Female)
5. Audio in (mini jack)
6. Audio out (mini jack)
7. LAN Port (RJ45 for Network)
8. RS232 In (D-sub 9pin, male)
9. USB TypeA (for USB reader)
10. USB TypeA (for Wireless Dongle)
11. USB (Type mini B)
12. IR Receiver (Front+Top)

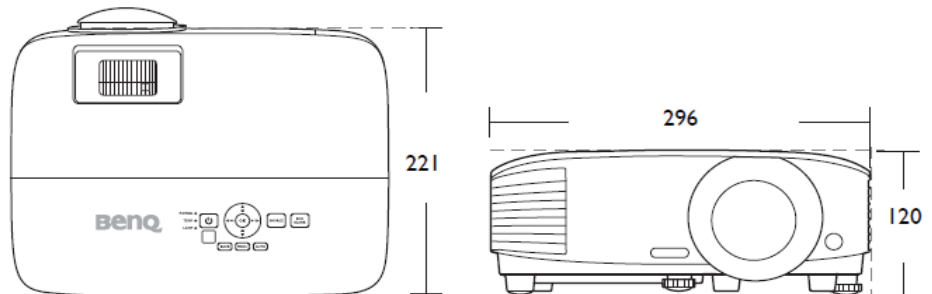


Ceiling Mount Chart



Ceiling mount screw: M4 x 8
(Max L = 25 mm; L = 20 mm)

Dimensions



296 mm (W) x 120 mm (H) x 221 mm (D)

SPECIFICATIONS		MX731
DISPLAY	Projection System	DLP Single 0.55" XGA
	DMD type	DC3 DMD chip
	Native Resolution	1024 x 768 pixels, 4:3
	Brightness	4,000 Lumens
	Contrast Ratio*	20,000:1
	Display Color	1.07 Billion Colors
	Aspect Ratio	Native 4:3 (5 aspect ratio selectable)
	Light Source	Lamp (240W)
	Light Source life*	4000/8000/8000/15000hrs (Normal/Eco/SmartEco/Lampsave Mode)
OPTICAL	Throw Ratio	1.51~1.97
	Zoom Ratio	1.3X
	Lens Control	Manual Zoom and Focus
	Lens shift	N/A
	Keystone Correction	2D keystone, Vertical ± 30 & Horizontal ± 20 degrees, Auto Vertical keystone
	Projection Offset	107.5% \pm 2.5% (Full-Height)
	Projection Size	30"~300"
AUDIO	Built-in Speaker	10W x1
SPECIAL FEATURE	Security	Kensington Lock, Security Bar
	Feature	2D Keystone, Auto Vertical keystone, Corner Fit, USB Reader, LAN Control, AMX/ PJ Link/Crestron/Extron IPL Compatible. MDA Compatibility LAN Display, Optional Wireless Display, Split Screen, Support Meeting/Classroom collaboration via QCast Software. (Conference Control)
COMPATIBILITY	Resolution Support	VGA(640 x 480) to WUXGA_RB(1920 x 1200)
	Horizontal Frequency	15~102KHz
	Vertical Scan Rate	23 ~ 120 Hz
	HDTV Compatibility	480i, 480p, 576i, 567p, 720p, 1080i, 1080p
	Video Compatibility	NTSC, PAL, SECAM*
POWER	Power Consumption(Max/Normal/Eco)	Max 355W. Normal 320W. Eco 240W.
	Standby Power Consumption	Normal < 0.5Watts. Network < 2W.
	Power Supply	100 ~ 240V AC
DIMENSION AND WEIGHT	Product Dimensions (WxHxD)	296x 120 x 221 mm
	Product Weight	2.5kg
OPERATION CONDITION	Noise Level(Normal/Eco)	33/29 dBA
	Operating Temperature	0 ~ 40oC
OSD	On-Screen Display Languages	Arabic/Bulgarian/ Croatian/ Czech/ Danish/ Dutch/ English/ Finnish/ French/ German/ Greek/ Hindi/ Hungarian/ Italian/ Indonesian/Japanese/ Korean/ Norwegian/ Polish/ Portuguese/ Romanian/ Russian/ Simplified Chinese/ Spanish/ Swedish/ Turkish/Thai/TraditionalChinese/Vietnamese /Farsi (30 Languages)
ACCESSORIES	Standard	Optional
	Power Cord (by region)	Spare Lamp Kit (P/N:5J.JGS05.001)
	Remote Control (RCE013)	3D Glasses (5J.J9H25.002)
	AAA Batteryx2	Wireless Dongle: WDRT8192 USB Dongle(5J.J3F28.X01)
	VGA cable	Wireless Dongle: QCast Mirror (5A.JH328.10X)
	Warranty Card (by region)	Wireless Dongle: QCast (5J.JCK28.X01)
	QSG (4J.JGR01.001)	Ceiling mount
	User Manual CD (5B.JGR01.001)	
Lens Cover		

*The Contrast is measure by Full On Full Off standard.

* LightSource life results will vary depending on environmental conditions and usage. Actual product's features and specifications are subject to change without notice.

* Storage: Temperature: -20~60°C; Humidity: 10~90%RH (without condensation)



BenQ America Corp.
www.BenQ.us

BenQ is a registered trademark of BenQ Corp. All rights reserved. Product names, logos, brands, and other trademarks featured or referred to in this material are the property of their respective trademark holders. Specifications subject to change without notice.

