

PRO-PJT product information sheet

Product Specifications

Fits most: Small to large projectors

Supports up to: 40 lbs (18.1 kg)

Pitch: +/- 15°

Roll: +/- 15°

Yaw: +/- 180°

UL listed: Yes

Warranty: 5 years

Color: Black

Product Benefits

- Universal mounting pattern fits projectors with any hole pattern
- Legs adjustable from 5" to 19.8" diagonally for small to large projectors
- Built-in pitch/roll adjustment
- Includes ceiling plate and PFC-A coupler
- Hex pin anti-theft security feature
- NPT extension pipes available in 12", 18" and 24" lengths
- Includes complete Grade 5 hardware kit



The PRO-PJT has infinitely adjustable tilt and pitch, which is especially helpful for post installation adjustment

Projector Mounts



HDPJTMA



PRO-PJT



PMMICRO



PM1



PM2



Dedicated to being a one-stop shop for professional products, OmniMount remains on the cutting edge of product innovation. That's why we're the natural choice for any professional, industrial or commercial application. OmniMount has a full range of project mounts with reliability, functionality and versatility built in. The 3N1-PJT is a universal ceiling mount with adjustable legs that fits most small to large projectors.



PRO-PJT technical data sheet



Dedicated to being a one-stop shop for professional products, OmniMount remains on the cutting edge of product innovation. That's why we're the natural choice for any professional, industrial or commercial application. OmniMount has a full range of project mounts with reliability, functionality and versatility built in. The 3N1-PJT is a universal ceiling mount with adjustable legs that fits most small to large projectors.



Product Specifications

Fits most: Small to large projectors

Supports up to: 40 lbs (18.1 kg)

Pitch: +/- 15°

Roll: +/- 15°

Yaw: +/- 180°

UL listed: Yes

Warranty: 5 years

Color: Black

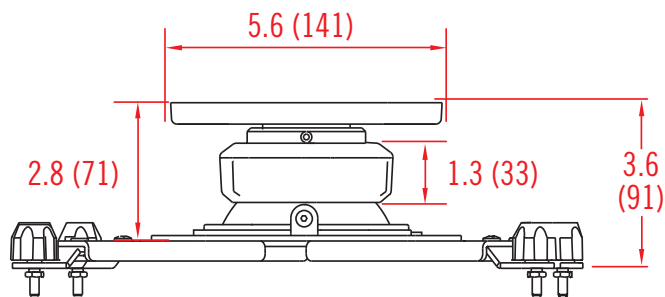
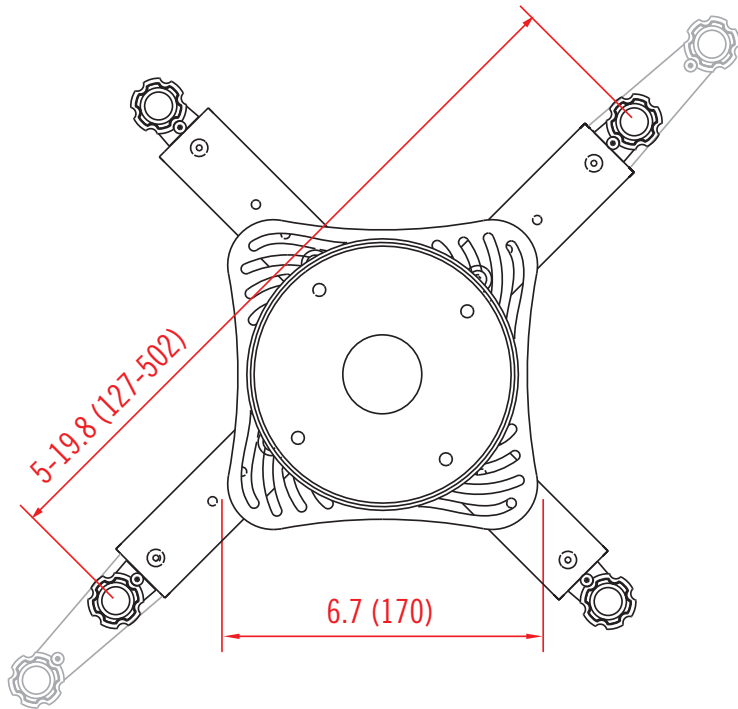
Product Benefits

- Universal mounting pattern fits projectors with any hole pattern
- Legs adjustable from 5" to 19.8" diagonally for small to large projectors
- Built-in pitch/roll adjustment
- Includes ceiling plate and PFC-A coupler
- Hex pin anti-theft security feature
- NPT extension pipes available in 12", 18" and 24" lengths
- Includes complete Grade 5 hardware kit

	Color	Stock Code	Packaging UPC	MC UPC	Dimensions WxDxH inches (mm)	Wt lbs (kg)	Qty
Americas	Black	1003178-1	728901018084	728901711398	Box 8.1 x 8.5 x 3.9 (205x215x100)	7.6 (3.5)	NA
International	Black	NA	NA	NA	MC 8.7 x 9.1 x 8.7 (220x230x220)	15.7 (7.1)	2

Box Contents	Qty
Projector plate	1
Articulation unit	1
Ceiling plate	1
Projector leg	4
PFC-A coupler	1
Complete mount installation hardware kit	1
Complete projector attachment hardware kit	1
Instruction manual	1

PRO-PJT line drawing



inches (mm)