

Remote Microphone

RM-01



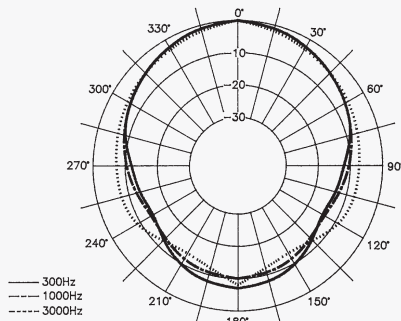
RM-01

OVERVIEW

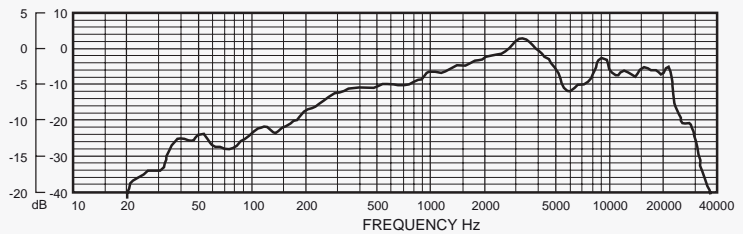
The RM-01 is an ideal remote paging microphone with push-to-talk and push-to-chime control. It features a unidirectional dynamic microphone with a 14" gooseneck. The microphone has a frequency range of 60 Hz to 18 kHz with an impedance of 400 Ω and a sensitivity of -75db. The stand is of heavy diecast-zinc construction to provide stability and minimize noise caused by the operator touching the stand.

FEATURES

- ① Unidirectional Dynamic Microphone
- ① 14" Gooseneck
- ① Frequency response 60 Hz to 18 kHz
- ① Heavy diecast-zinc construction base
- ① Mic On/Off Switch
- ① Remote Chime Switch
- ① Sensitivity -75 dB \pm 3 dB(0 dB=1 V/ μ bar@1 kHz)
- ① Impedance 400 Ω



POLAR PATTERN



RESPONSE

SPECIFICATIONS

	RM-01
TYPE	Dynamic Microphone
POLAR PATTERN	UNIDIRECTIONAL
SENSITIVITY (0 dB=1 V/Pa at 1 kHz)	-75 \pm 3 dB
IMPEDANCE	400 Ω
FREQUENCY RESPONSE	60 Hz~18 kHz
WEIGHT(SET)	1.4 kg/3 lbs
DIMENSIONS(SET)	90(W) \times 45(H) \times 133(D) mm/3.5(W) \times 1.7(H) \times 5.2(H) in

NAME OF GOOSE NECK ASS'Y



1 WIND SCREEN

2 UNIT

This unit which range is from 60Hz to 16kHz can make sound.

3 UNIT BASE

This base settles unit, and made of aluminium ware to protect goose neck not to be lower.

4 GOOSE NECK

This goose neck can adjust the direct of unit without moving stand.

5 CONNECTOR HOLDER

This case is in order to connect stand to connector.

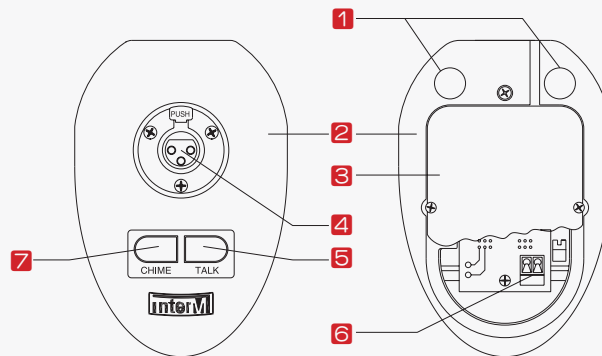
6 3P CONNECTOR

XL-R connector of stand.

7 WRENCH BOLT

This screw solidifies mounting between goose neck and connector holder.

NAME OF STAND ASS'Y



1 RUBBER FOOT

This rubber foot of stand avoid sliding on the glass or table.

2 STAND

This stand made of heavy Zn diecasting which can minimize touch noise.

3 STAND COVER

4 RECEPTACLE

Input signal through 3p connector of goose neck becomes sound at this part of stand ass'y

5 TALK SWITCH

After press talk switch, the microphone does work and press again is off.

6 TERMINAL BLOCK

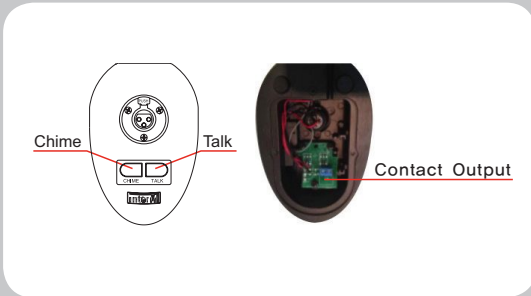
This block is connected with remote chime. For connecting remote chime, after open stand cover connect it with \ominus driver.

7 CHIME SWITCH

If the chime appliance is connected with the terminal block, can produce sound.

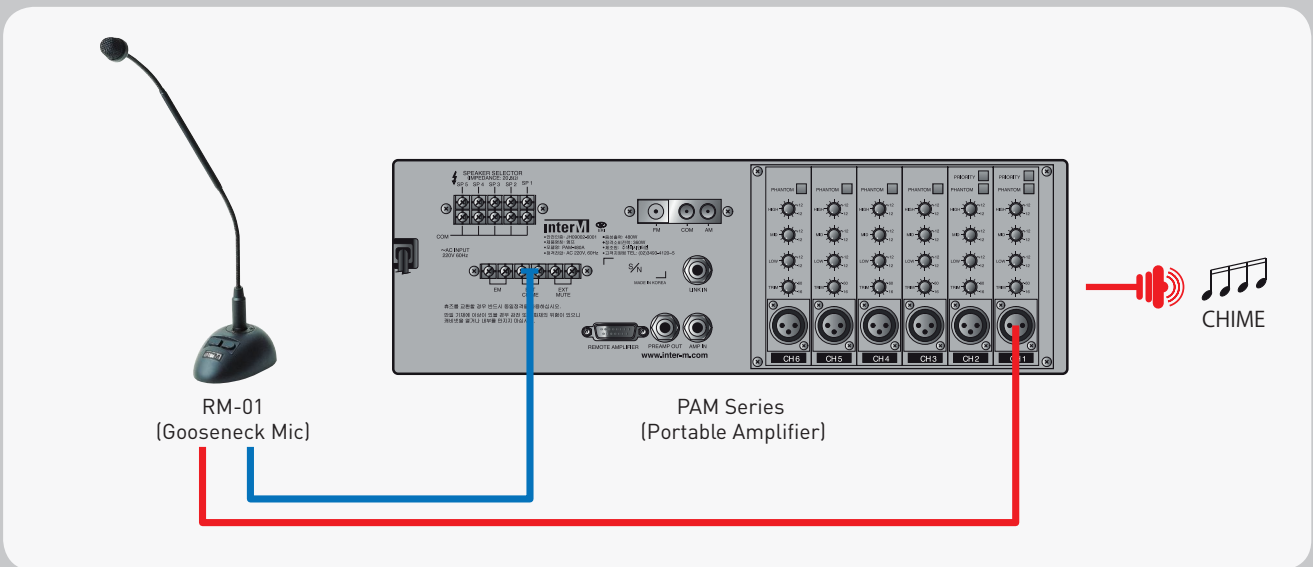
Remote Microphone

CONNECTION FOR REMOTE CHIME

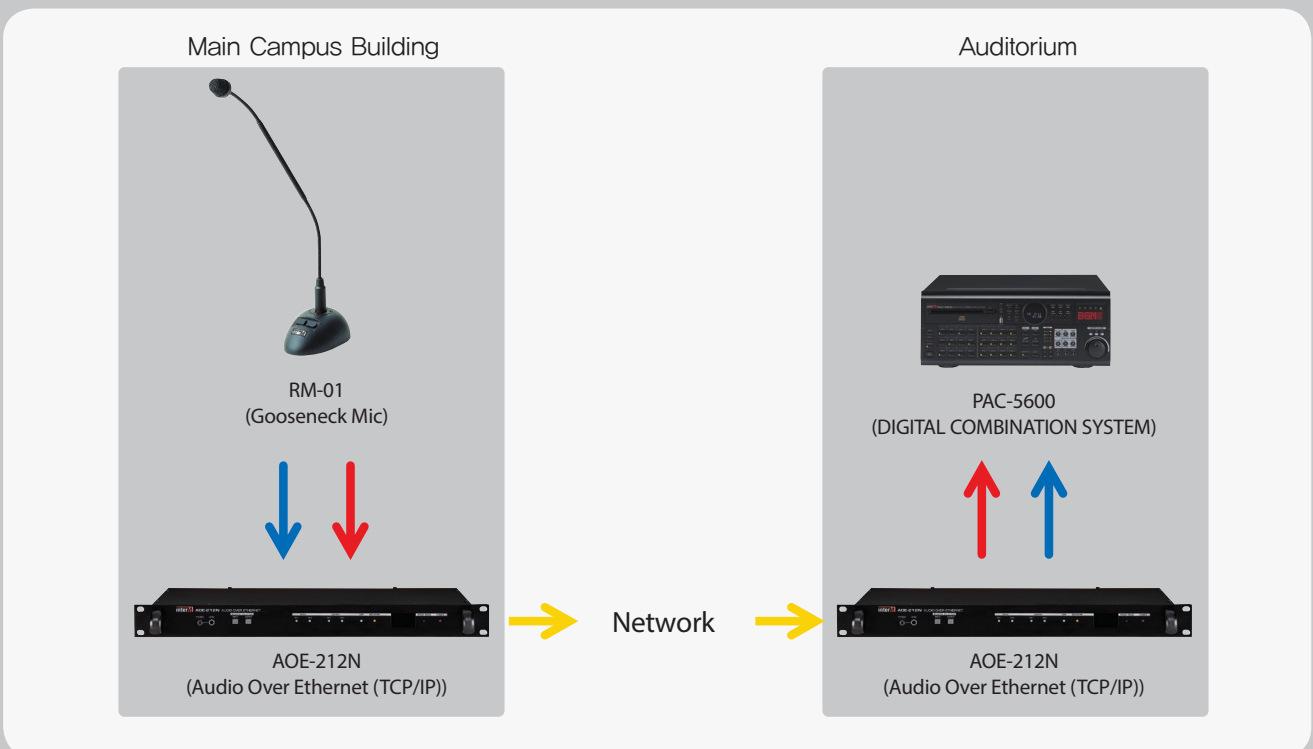


- After opening the cover of the stand bottom, connect the Receiver or the Remote Chime for the system to the 2P terminal block.

APPLICATION 1

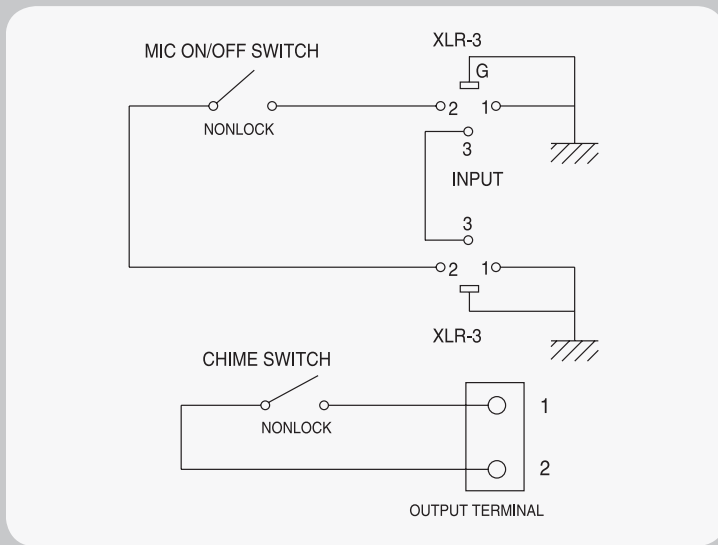


APPLICATION 2



Remote Microphone

BLOCKDIAGRAM



COMPARATIVE TABLE



RM-01



RMC-01

RM-01

- Moving Coil Dynamic Microphone
- Remote Chime Switch
- MIC On/Off Switch
- Sold separately
(MIC : MC-01/BASE : RM-01BS)

RMC-01

- Electret Condenser Microphone
- Remote Chime Switch
- MIC On/Off Switch
- Sold separately
(MIC : CMC-01/BASE : RMC-01BS)

	RM-01	RMC-01
TYPE	Dynamic Mic	Condenser Mic
POLAR PATTERN	UNIDIRECTIONAL	
SENSITIVITY (0 dB=1 V/Pa at 1 kHz)	-75 dB \pm 3 dB	-47 dB \pm 3 dB
IMPEDANCE	400 Ω	680 Ω
FREQUENCY RESPONSE	60 Hz~18 kHz	100 Hz~16 kHz
POWER	-	DC 1.5 V
WEIGHT(SET)	1.4 kg/3 lbs	
DIMENSIONS(SET)	90(W) x 45(H) x 133(D) mm 3.5(W) x 1.7(H) x 5.2(H) in	

Memo



Inter-M Corp. (IMK)

719, Dobong-ro, Dobong-gu, Seoul, Korea
Overseas Sales Team

Tel_ +82-2-2289-8141~7 Fax_ +82-2-2289-8149 E-mail_ overseas@inter-m.com

www.inter-m.com

※ Design and specification are subject to be changed for the improvement of product quality without pre notice.

2015. 10. V4