

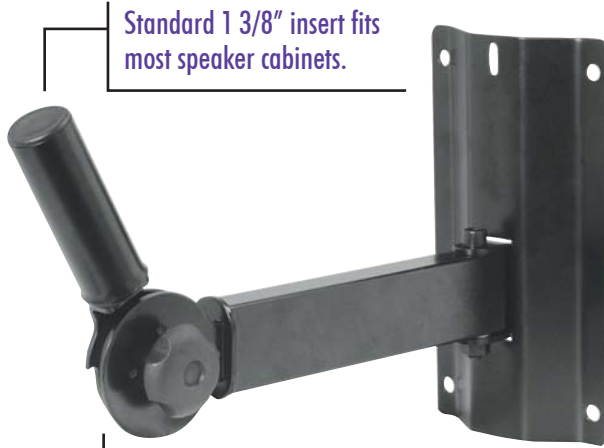
# SS7322B

## Adjustable Wall Mount Speaker Bracket

SPEAKER STANDS & ACCESSORIES

### FEATURES AND BENEFITS

Ideal for sound contractors, mount this bracket on the walls at night clubs, recording studios, home multi-media rooms, schools or just about anywhere! For mounting on flat surfaces this adjustable bracket features a tilting angle adjustment as well as a 30° swivel hinge.



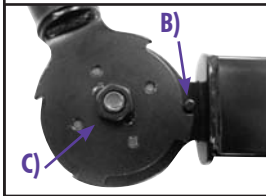
Standard 1 3/8" insert fits most speaker cabinets.

Ergonomic 2" knob adjusts tilt angle from 90° to 30°.

A) 90 Interlocking teeth mesh together to form a solid adjustable pivot point for tilting your speakers.

B) Added solid-steel pin serves as a safety-stop.

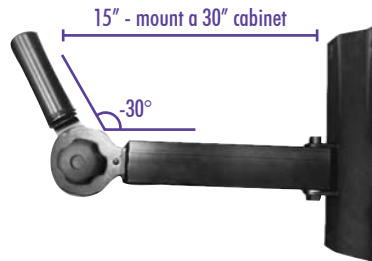
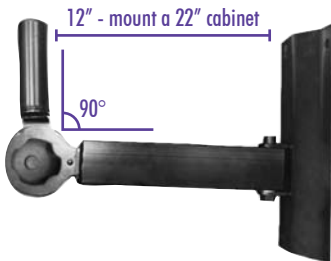
C) 9mm Steel bolt and nut.



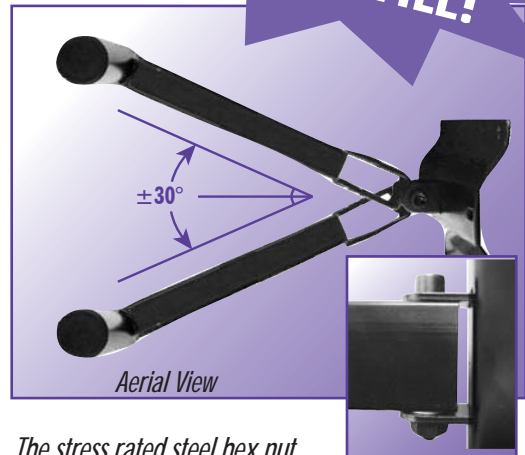
Adjustable tilt feature allows you to mount a 30" speaker cabinet ...

At upright 90° position, you can mount a 22" deep speaker cabinet.

At 30° tilt down position, you can mount a 30" deep speaker cabinet.



**RUGGED & VERSATILE!**



The stress rated steel hex nut and bolt (shown at right) is strong enough to support up to 80 lbs. and also allows for horizontal swivel adjustments ±30°.

### PRODUCT SPECIFICATIONS

- > **Applications:** Small-Medium speaker cabinets
- > **Distance From Wall:** 12.5"
- > **Weight Capacity:** 80 lbs.
- > **Tilt Angle Adjustment:** 90°-30°
- > **Swivel Angle Adjustment:** ±30°
- > **Construction:** Steel

Model#: SS7322B  
Inv#: 40983  
List Price: \$176.99 (pair)

Call The Music People today to place your order

# 1-800-289-8889

Visit us on the web @ [www.musicpeopleinc.com](http://www.musicpeopleinc.com) or [www.onstagestands.com](http://www.onstagestands.com)

On-Stage Stands® is a registered trademark of The Music People Inc. Prices and Specifications subject to change.

# On-Stage Stands®

