

Ceiling mount bracket for low ceilings

Description

This ceiling mount bracket is to be used when mounting projectors to low ceilings.

NOTE: This ceiling mount bracket cannot be used by itself. Combine it with the optional bracket assembly.

Specifications

Vertical correction angle:	+5°, -5°
Horizontal slant correction angle:	±5°
Horizontal turn correction angle:	±1.2°
Dimensions (W × H × D):	258 × 80 × 286 mm (10-5/32 × 3-5/32 × 11-1/4 inches)
Weight:	3 kg* (6.6 lbs)*
Applicable bracket assembly:	ET-PKD120B/PKD120B/PKE300B/PKD310

* Average value. May differ depending on models.

Weights and dimensions shown are approximate. Specifications and appearance are subject to change without notice.

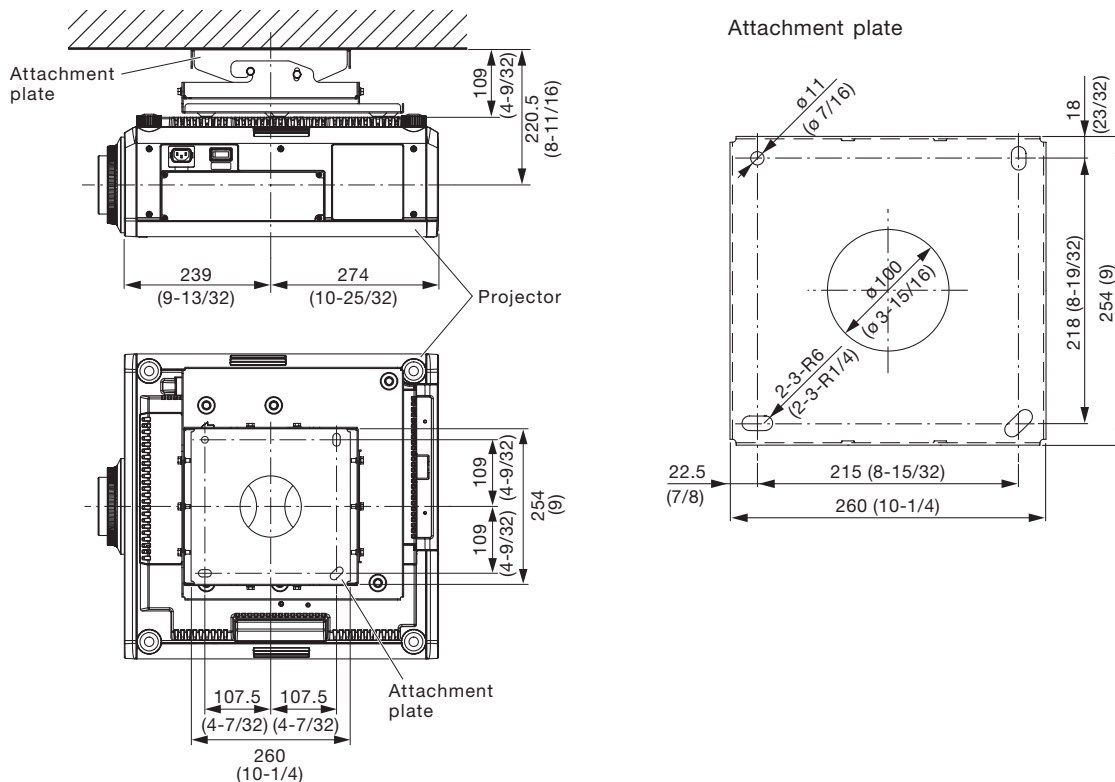
Parts	Attachment plate	1	Washer-fitted screws (M6 × 16)	10
	Projector mount bracket	1		

Caution:

- Mounting should be done by a qualified technician.
- Make sure that the mounting (ceiling) area has sufficient strength.
- Read the enclosed mounting instructions thoroughly before starting.
- Do not use an electric screwdriver or impact driver to tighten screws. (Use a torque driver or similar tool.)
- When the product is no longer going to be used, have it disposed of quickly by a professional disposal service.

Dimensions

Illustration shows the bracket (ET-PKD130B attached to PT-DZ870/DZ870L/DW830/DW830L/DX100/DX100L.



unit : mm (inch)
NOTE: This illustration is not drawn to scale.

Dimensions

Illustration shows the bracket (ET-PKE300B) attached to PT-EZ770Z/EZ770ZL/EW730Z/EW730ZL/EX800Z/EX800ZL and PT-EZ580/EZ580L/EW640/EW640L/EX610/EX610L/EW540/EW540L/EX510/EX510L.

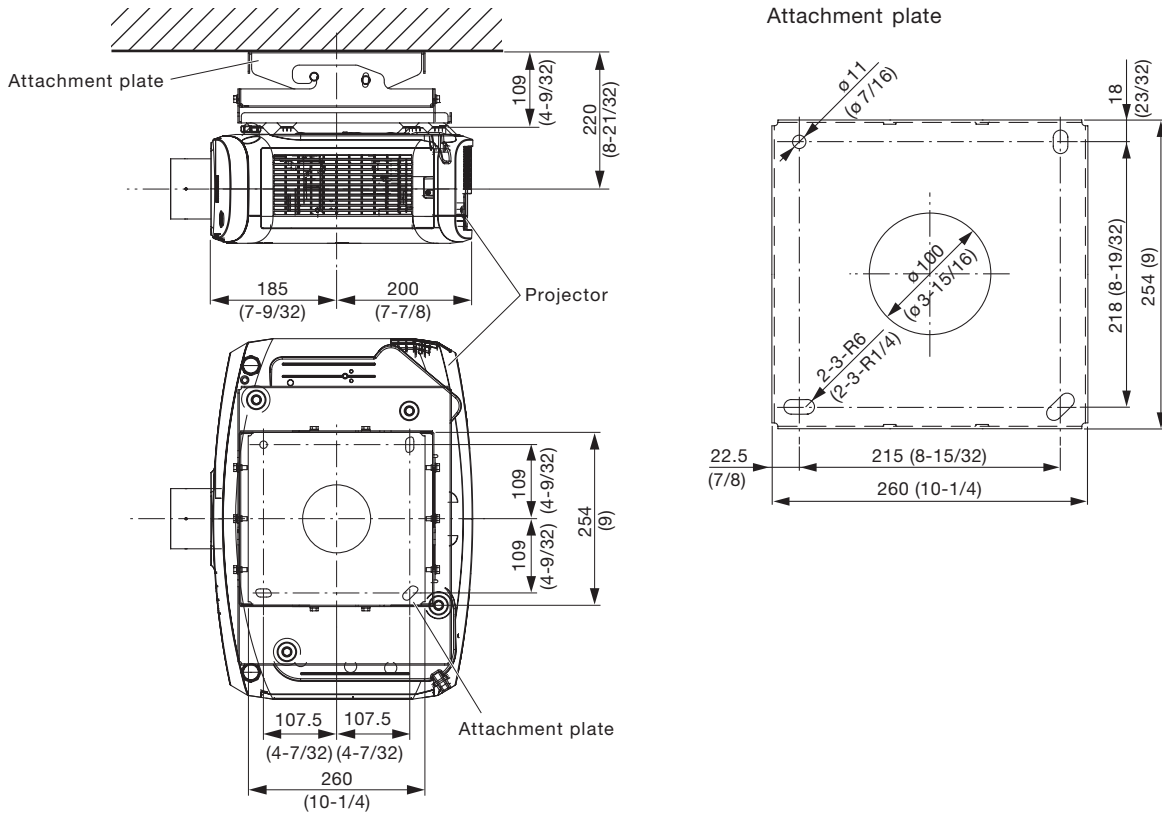
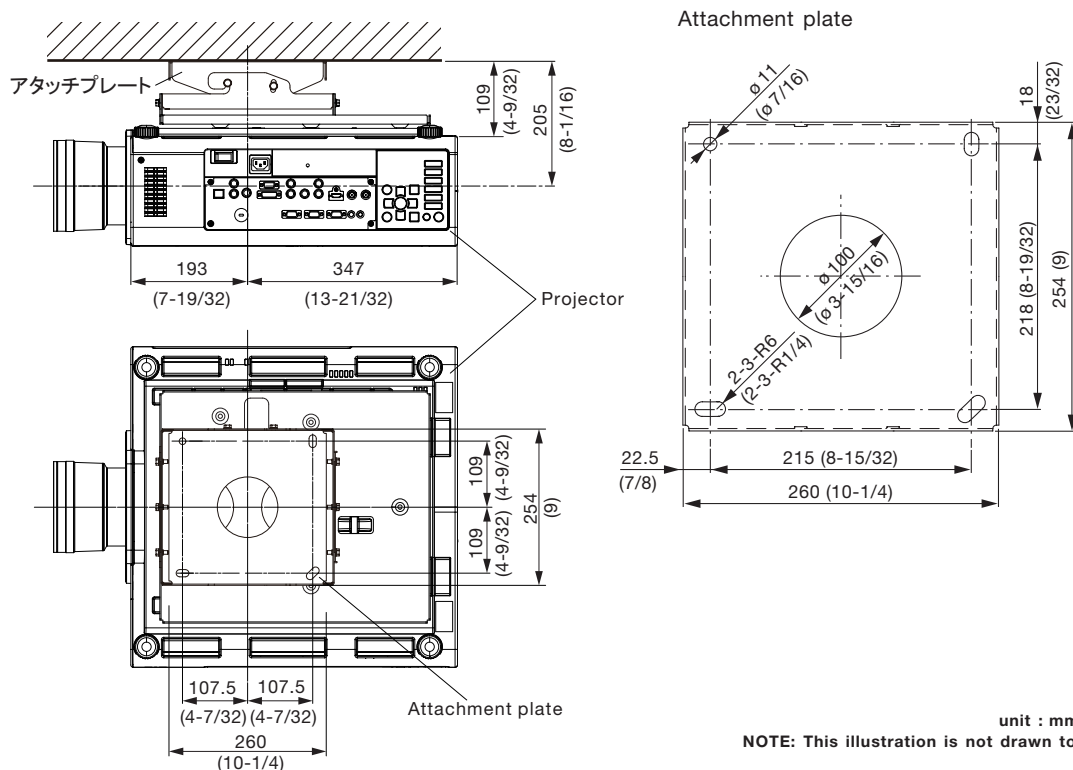


Illustration shows the bracket (ET-PAD310) attached to PT-DZ13K/DS12K/DW11K/DZ10K.



unit : mm (inch)
NOTE: This illustration is not drawn to scale.